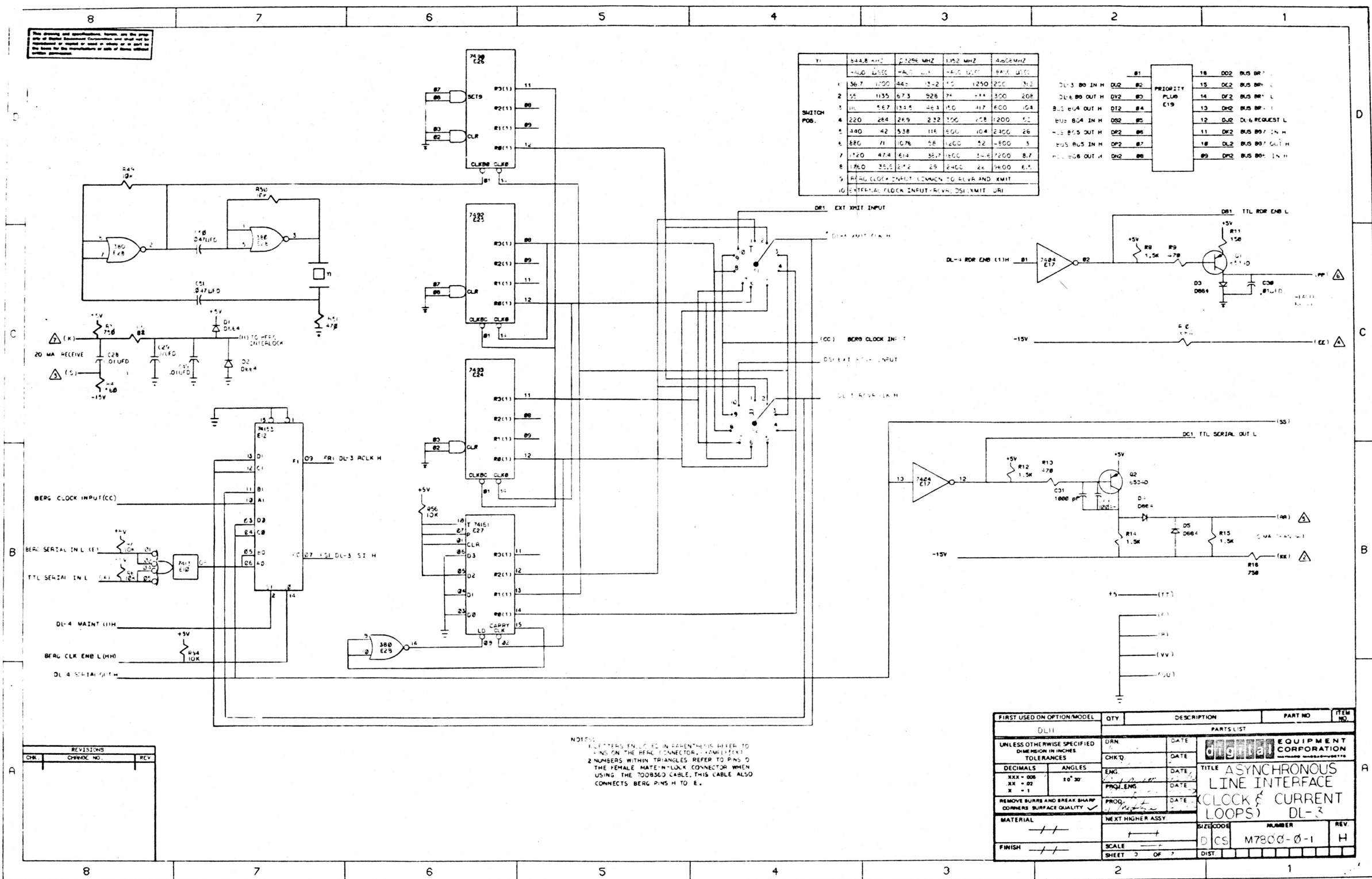


This drawing and specifications shall be the property of the manufacturer and shall not be reproduced or used in any manner without the written permission of the manufacturer.

REV	DATE	BY	CHKD

FIRST USED ON OPTION MODEL	QTY	DESCRIPTION	PART NO	ITEM NO
DL1				
UNLESS OTHERWISE SPECIFIED DIMENSION IN INCHES TOLERANCES				
DECIMALS	ANGLES	DRN	DATE	Chilton EQUIPMENT CORPORATION TITLE ASYNCHRONOUS LINE INTERFACE (BUS RECEIVERS & DRIVERS) DL2
XXX - 00	XX - 30	CHK'D	DATE	
XX - 02	X - 1	ENG	DATE	
		PROJ ENG	DATE	
REMOVE BURRS AND BREAK SHARP CORNERS SURFACE QUALITY				
MATERIAL				
FINISH				
NEXT HIGHER ASSY			SIZE CODE	NUMBER
SCALE			DCS	M7800-0-1
SHEET 2 OF 7			DIST	



Y1	344.8 MHz	212.4 MHz	145.2 MHz	400 MHz
1	36.7	1150	443	13-2
2	55	1135	673	528
3	111	567	1115	463
4	220	284	249	232
5	340	42	538	116
6	560	71	1076	58
7	720	474	614	367
8	1760	35.5	272	25

DL-3	DL-4	DL-5	DL-6	DL-7	DL-8	DL-9
18	15	14	13	12	11	10
D02	D02	D02	D02	D02	D02	D02
BUS BR*	BUS BR*	BUS BR*	BUS BR*	BUS BR*	BUS BR*	BUS BR*
BUS BR*	BUS BR*	BUS BR*	BUS BR*	BUS BR*	BUS BR*	BUS BR*
BUS BR*	BUS BR*	BUS BR*	BUS BR*	BUS BR*	BUS BR*	BUS BR*
BUS BR*	BUS BR*	BUS BR*	BUS BR*	BUS BR*	BUS BR*	BUS BR*
BUS BR*	BUS BR*	BUS BR*	BUS BR*	BUS BR*	BUS BR*	BUS BR*
BUS BR*	BUS BR*	BUS BR*	BUS BR*	BUS BR*	BUS BR*	BUS BR*
BUS BR*	BUS BR*	BUS BR*	BUS BR*	BUS BR*	BUS BR*	BUS BR*

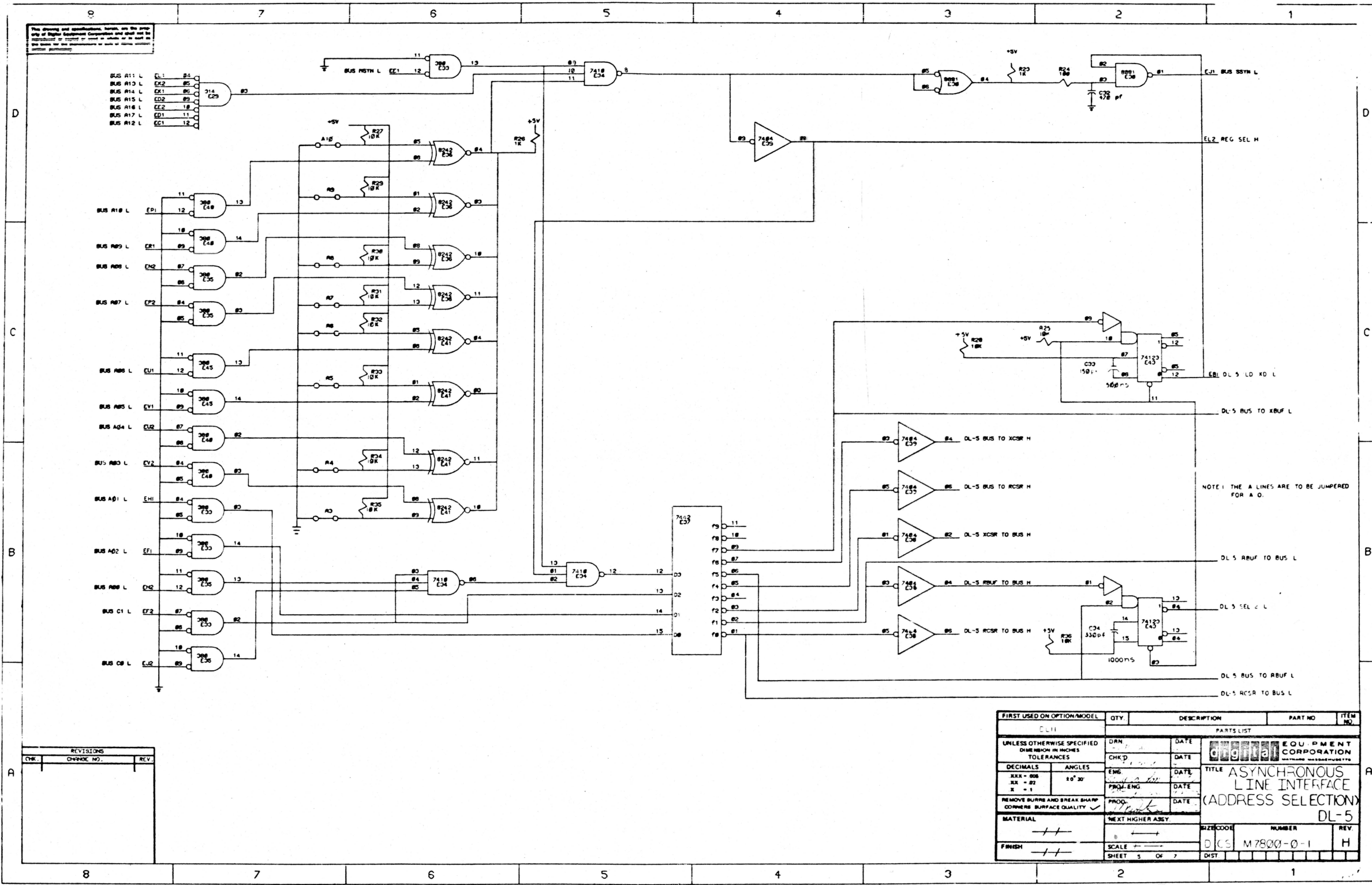
THIS DRAWING AND SPECIFICATIONS HEREBY ARE THE PROPERTY OF OGI EQUIPMENT CORPORATION AND SHALL NOT BE REPRODUCED OR TRANSMITTED IN ANY FORM OR BY ANY MEANS, ELECTRONIC OR MECHANICAL, INCLUDING PHOTOCOPYING, RECORDING, OR BY ANY INFORMATION STORAGE AND RETRIEVAL SYSTEM, WITHOUT THE WRITTEN PERMISSION OF OGI EQUIPMENT CORPORATION.

NOTES:
 1. LETTERS ENCLOSED IN PARENTHESES REFER TO PINS ON THE BERG CONNECTOR. (X) AND (Y) REFER TO THE FEMALE MAINTENANCE CONNECTOR WHEN USING THE TOBBED CABLE. THIS CABLE ALSO CONNECTS BERG PINS H TO E.

REV	DATE	BY	CHKD

FIRST USED ON OPTION/MODEL	QTY	DESCRIPTION	PART NO	REV NO
DL-1				

UNLESS OTHERWISE SPECIFIED	DRN	DATE	PARTS LIST	
TOLERANCES	CHK'D	DATE	OGI EQUIPMENT CORPORATION	
DECIMALS	ENG	DATE	TITLE ASYNCHRONOUS LINE INTERFACE	
ANGLES	PROG. ENG.	DATE	(CLOCK & CURRENT LOOPS) DL-3	
REMOVE BURRS AND BREAK SHARP CORNERS SURFACE QUALITY	PROD.	DATE	MATERIAL	
FINISH	NEXT HIGHER ASSY	DATE	SCALE	
			SHEET 3 OF 7	

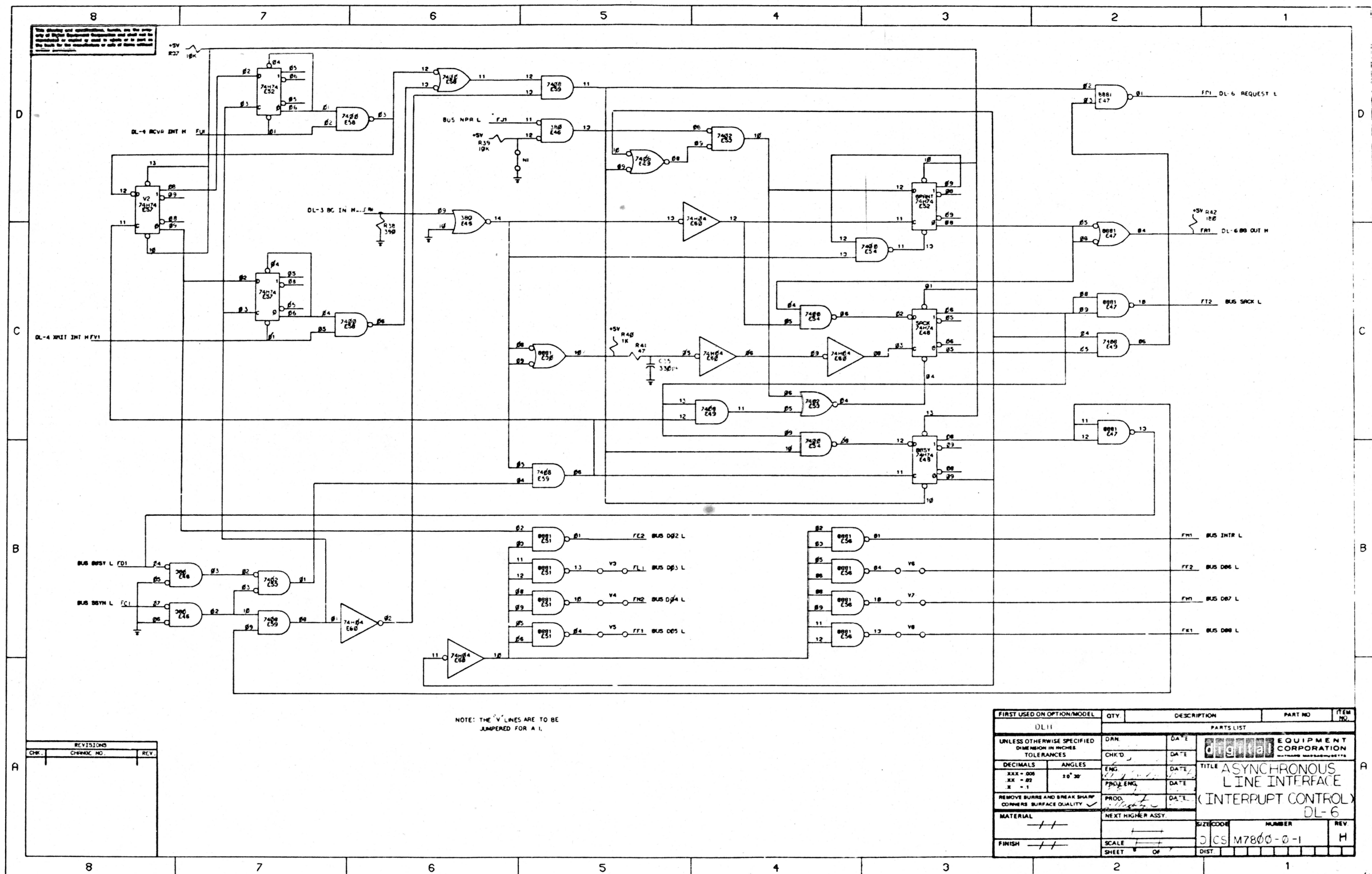


This drawing and specifications, taken as the basis of design, shall be the property of Digital Equipment Corporation and shall not be reproduced or copied in whole or in part without the written permission of Digital Equipment Corporation.

REVISIONS		
CHK.	CHANGE NO.	REV.

FIRST USED ON OPTION/MODEL	QTY	DESCRIPTION	PART NO	ITEM NO.
DL-5				
UNLESS OTHERWISE SPECIFIED DIMENSIONS IN INCHES TOLERANCES				
DECIMALS	ANGLES	DATE	PARTS LIST	
XXX - 008	±0°30'		DIGITAL EQUIPMENT CORPORATION	
X - 01			TITLE ASYNCHRONOUS LINE INTERFACE	
REMOVE BURRS AND BREAK SHARP CORNERS SURFACE QUALITY			(ADDRESS SELECTION)	
MATERIAL	NEXT HIGHER ASSEMBLY		SIZE CODE	NUMBER
			D C S	M7800-0-1
FINISH	SCALE		DIST	REV
				H

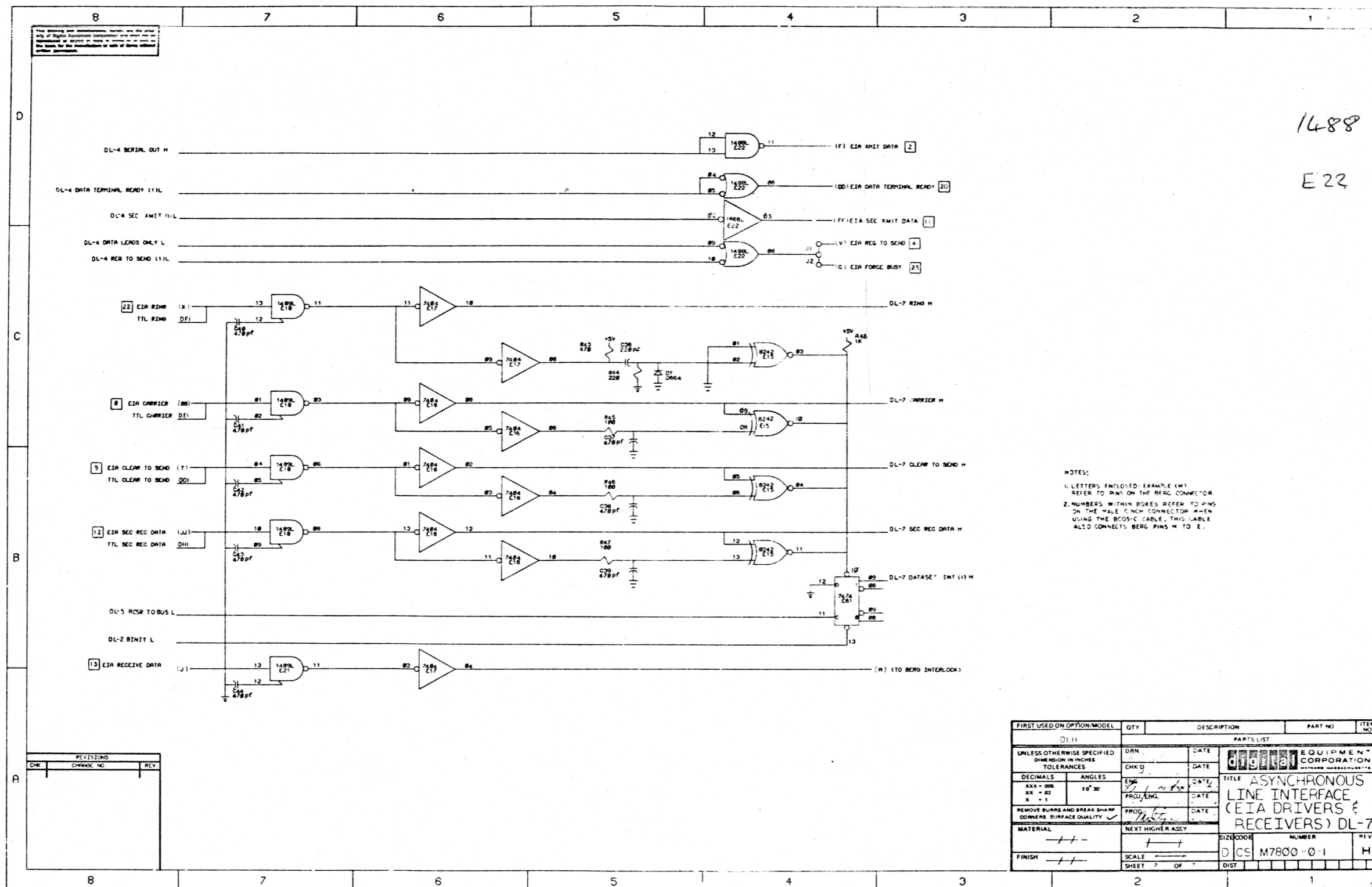
NOTE: THE A LINES ARE TO BE JUMPED FOR A 0.



REVISIONS		
CHK	CHANGE NO.	REV.

NOTE: THE V LINES ARE TO BE JUMPED FOR A.I.

FIRST USED ON OPTION/MODEL	QTY	DESCRIPTION	PART NO.	ITEM NO.
DL11				
UNLESS OTHERWISE SPECIFIED DIMENSIONS IN INCHES				
DECIMALS	ANGLES	CHK'D	DATE	GENERAL EQUIPMENT CORPORATION TITLE ASYNCHRONOUS LINE INTERFACE (INTERPUPT CONTROL) DL-6 SIZE COOR NUMBER REV DIST M7800-0-1 H
XXX - 008	10' 30"	ENG	DATE	
XX - 02		PROJ. ENG.	DATE	
X - 1		PROD.	DATE	
MATERIAL	FINISH	SCALE	SHEET	



1488
E22

NOTES:
1. LETTERS ENCLOSED - EXAMPLE (M)
REFER TO PINS ON THE BERG CONNECTOR.
2. NUMBERS WITHIN BOXES REFER TO PINS
ON THE MALE CONN. CONNECTOR WHEN
USING THE BCS-C CABLE. THIS LABEL
ALSO CONNECTS BERG PINS M TO E.

REVISIONS		
CHK	CHANGE NO.	REV.

FIRST USED ON OPTION/MODEL	QTY	DESCRIPTION	PART NO.	ITEM NO.
DL-11				
UNLESS OTHERWISE SPECIFIED DIMENSIONS IN INCHES TOLERANCES				
DECIMALS	ANGLES	DRN	DATE	DATE
XXX - 000	±0°30'	CHK'D		
XX - 02		ENG		
X - 1		PROJ. ENGR.		
REMOVE BURRS AND BREAK SHARP CORNERS - SURFACE QUALITY				
MATERIAL	NEXT HIGHER ASSY	SIZE CODE	NUMBER	REV.
FINISH	SCALE	D CS	M7800-0-1	H
	SHEET	OF	DIST	